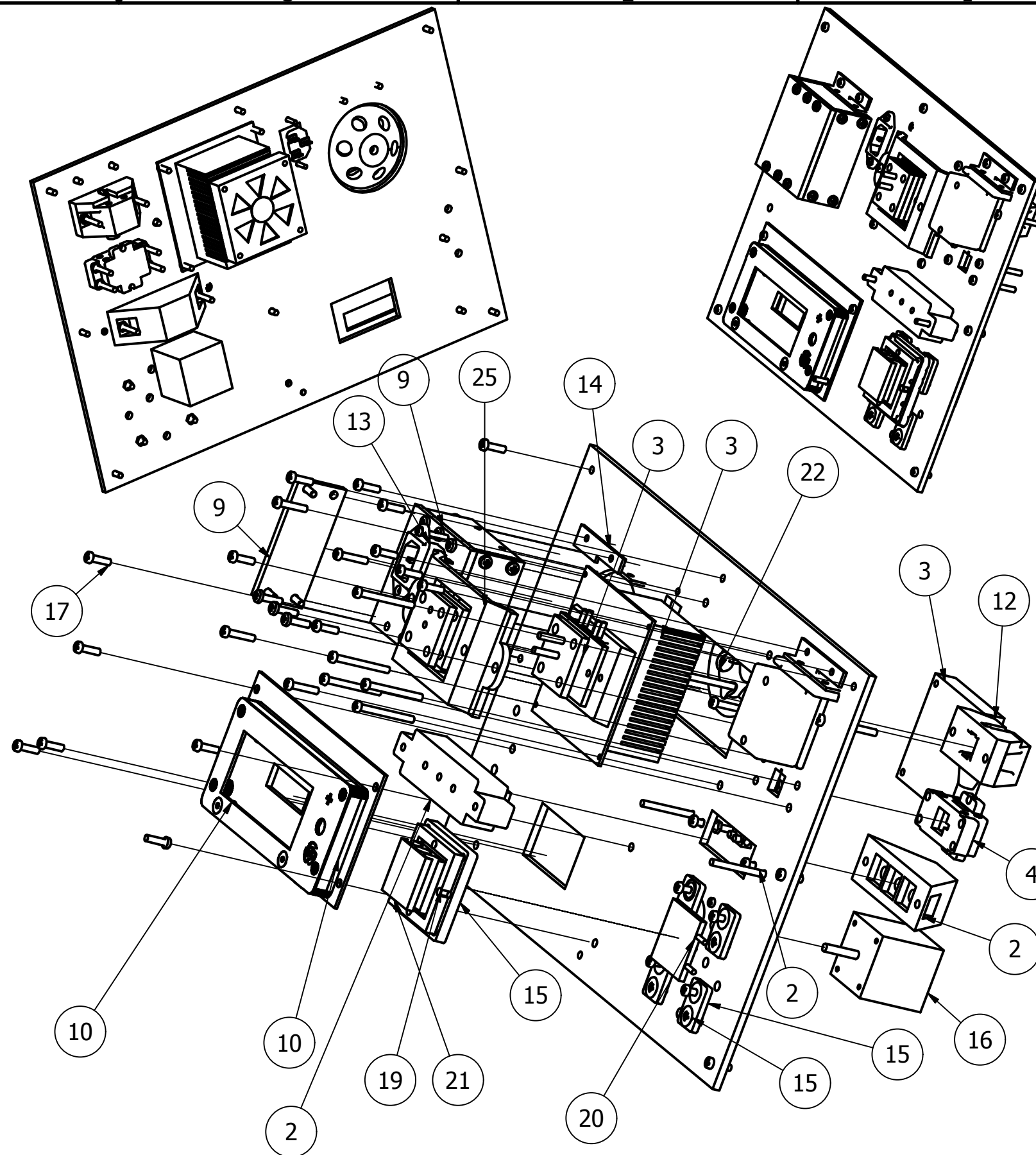


LISTA DE PIEZAS			
ELEMENTO	CTDAD	Nº DE PIEZA	DESCRIPCIÓN
1	1	2.case top	
2	1	tap final	
3	1	1.3 assembly peltier and aluminum blocks	
4	1	3.electroporator tube holder	
5	6	Screw GB/T 822 M4 x 40	Cross recessed cheese head screws
6	4	Screw GB/T 822 M4 x 20	Cross recessed cheese head screws
7	8	ISO 4036 - M4	Tuerca hexagonal
8	1	5.lead	
9	1	centrifuge.box	
10	1	1.assembly screen holder	
11	1	4.OD.cap	
12	1	1.OD.bucket holderold	
13	1	AC Power outlet connector	
14	2	ensamblaje visagra	
15	1	stirrer	
16	1	nema17	
17	17	Screw GB/T 822 M4 x 14	Cross recessed cheese head screws
18	4	Screw GB/T 822 M3 x 14	Cross recessed cheese head screws
19	1	25.stirrer. peltier holder	
20	1	peltier	
21	1	tube holder	
22	1	rodete VIEJO	
23	1	ISO 4036 - M6	Tuerca hexagonal
24	2	Screw GB/T 822 M3 x 20	Cross recessed cheese head screws
25	1	8.thermocycler.tube holder	



Diseño de Xavi	Revisado por	Aprobado por	Fecha	Fecha 13/10/2016
			Edición	Hoja 1 / 1

explosion layout